

# Honeycomb Blinds



- Single Ball Chain operation for ease of use.
- Smooth functioning of blind.
- Pleasing and Aesthetic look.

## Honeycomb Blinds

### Unique Features of Honeycomb Blinds

- Easy lift due to durable gears.
- Top-down, bottom-up operation possible.
- Twin Operation of main and sheers can be made.
- High quality durable fabric up to 4 meters width in a single piece.



Bottom up



Chain Control

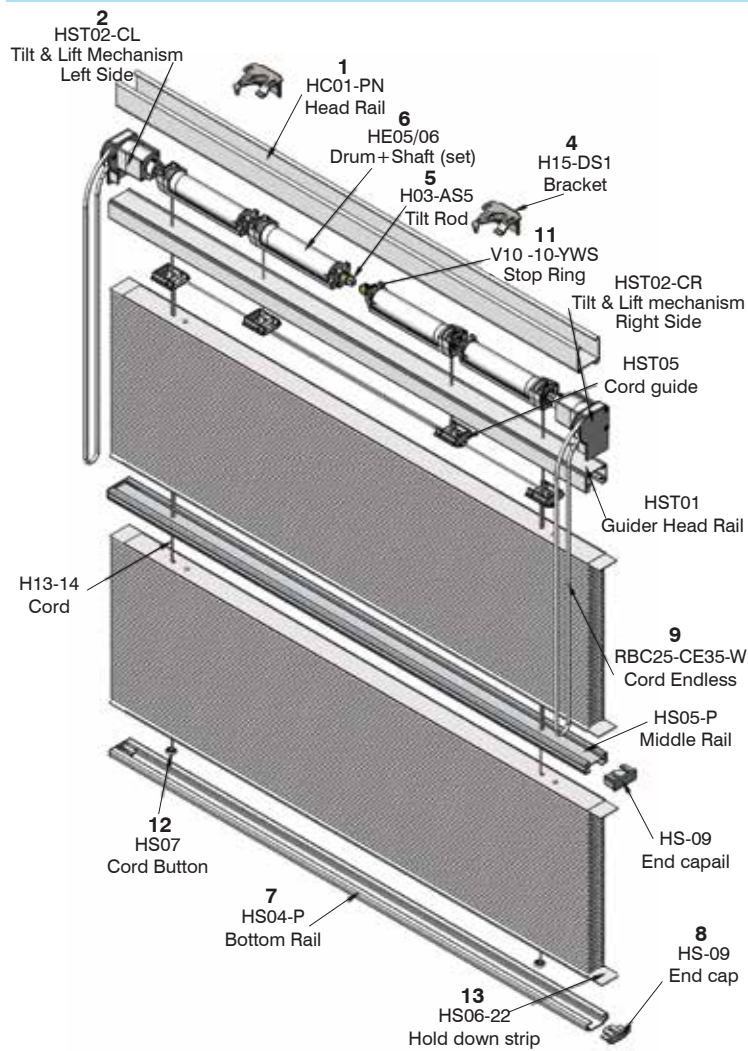


Top Down



Twin

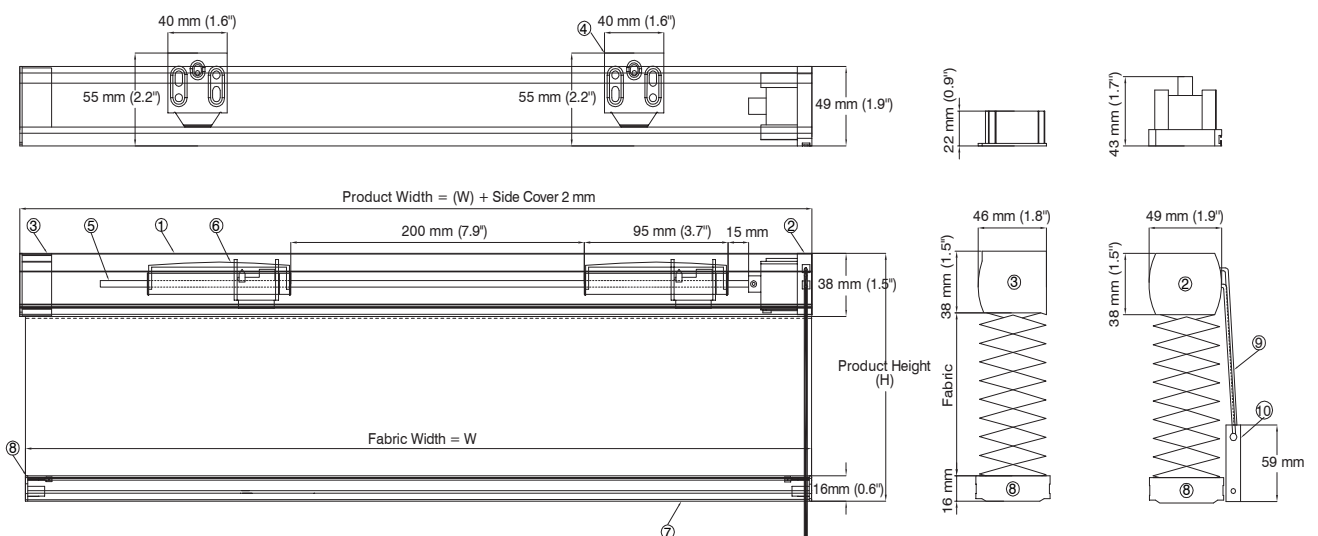
## Honeycomb Blind - Twin



### Components and Material

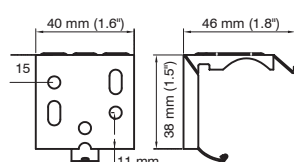
No.	Components	Material
1.	Head Rail	Aluminum
2.	Operating Unit	Molded Resin
3.	End Cap	Molded Resin
4.	Bracket	SUS
5.	Tilt Rod	MS
6.	Drum	Molded Resin
7.	Bottom Rail	Aluminum
8.	Bottom Rail End Cap	Molded Resin
9.	Chain	Polyester
10.	Cord Weight	Molded Resin
11.	Stop Ring	Molded Resin
12.	Cord Button	Molded Resin
13.	Hold down strip	Polyethylene

### Structure drawing

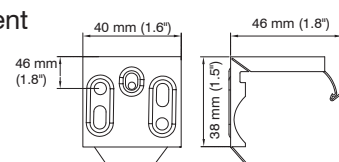


### Installation Dimensions

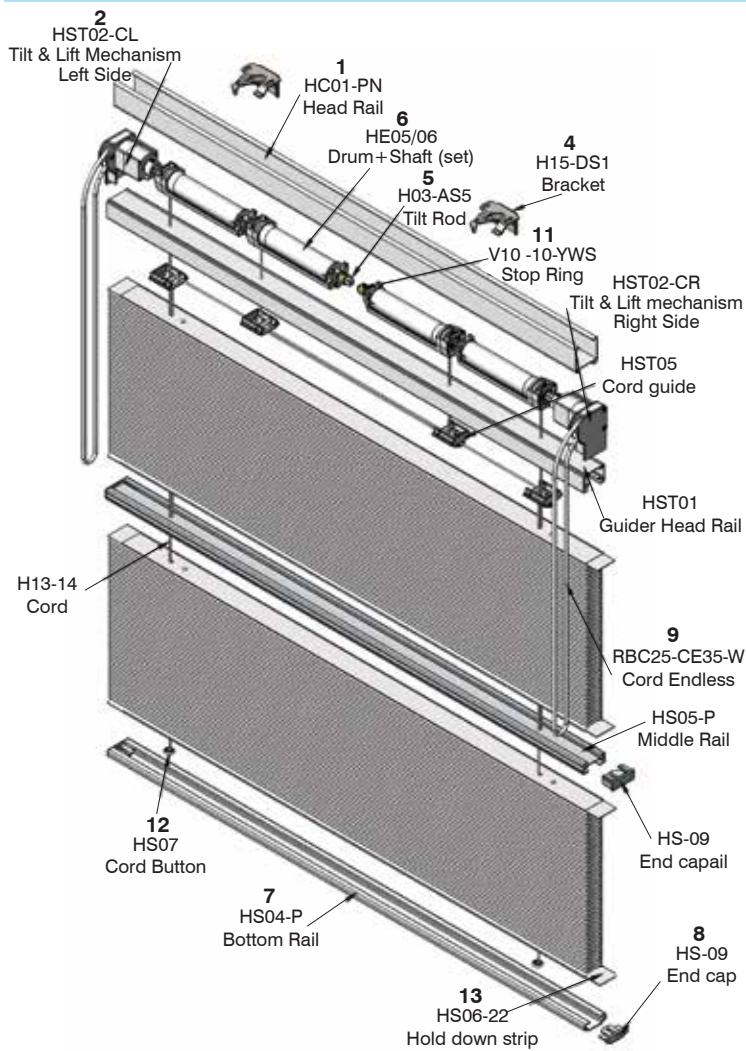
#### Wall Attachment



#### Ceiling Attachment



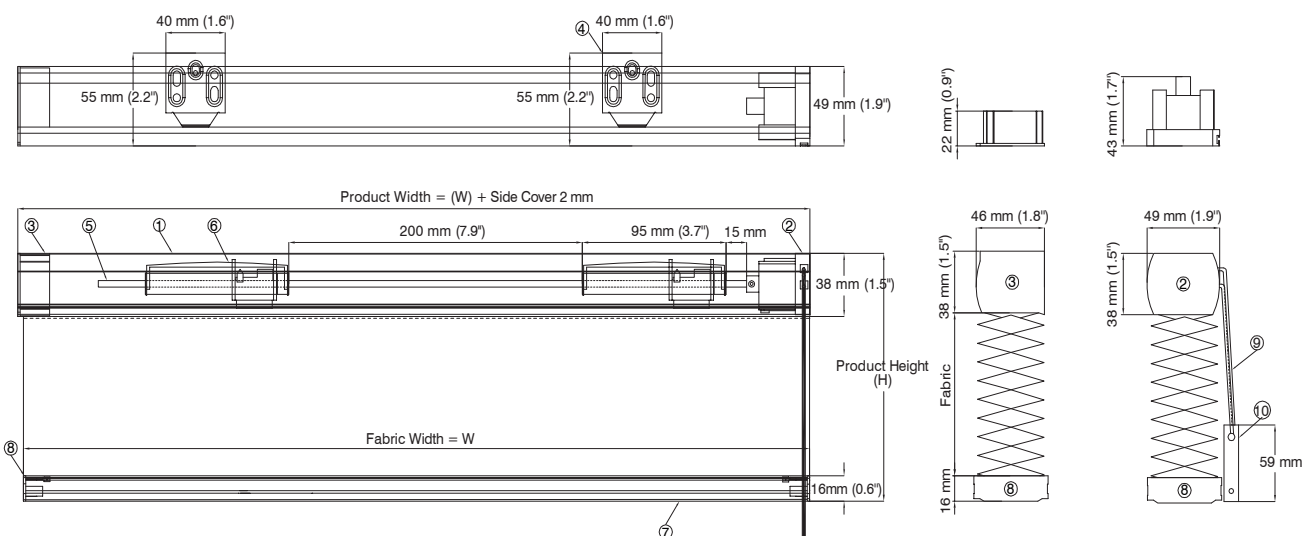
## Honeycomb Blind - Twin



### Components and Material

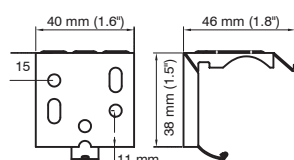
No.	Components	Material
1.	Head Rail	Aluminum
2.	Operating Unit	Molded Resin
3.	End Cap	Molded Resin
4.	Bracket	SUS
5.	Tilt Rod	MS
6.	Drum	Molded Resin
7.	Bottom Rail	Aluminum
8.	Bottom Rail End Cap	Molded Resin
9.	Chain	Polyester
10.	Cord Weight	Molded Resin
11.	Stop Ring	Molded Resin
12.	Cord Button	Molded Resin
13.	Hold down strip	Polyethylene

### Structure drawing

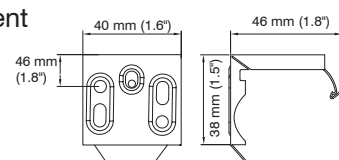


### Installation Dimensions

#### Wall Attachment

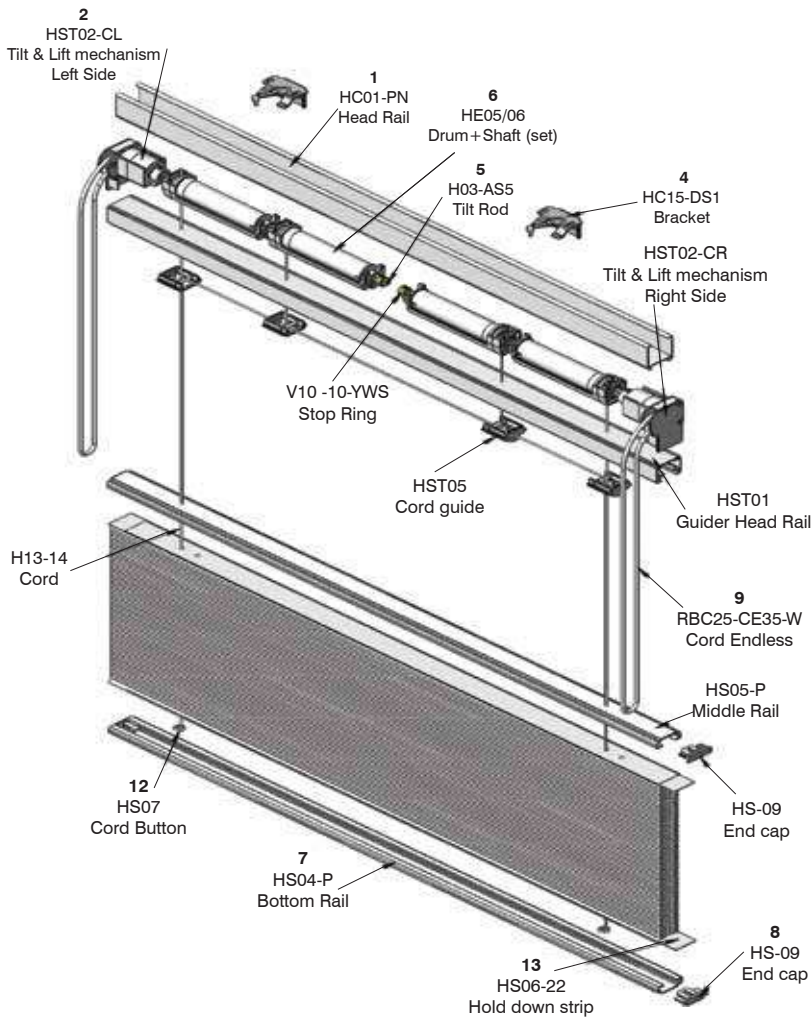


#### Ceiling Attachment



# Wood Venetian and Honeycomb Blinds

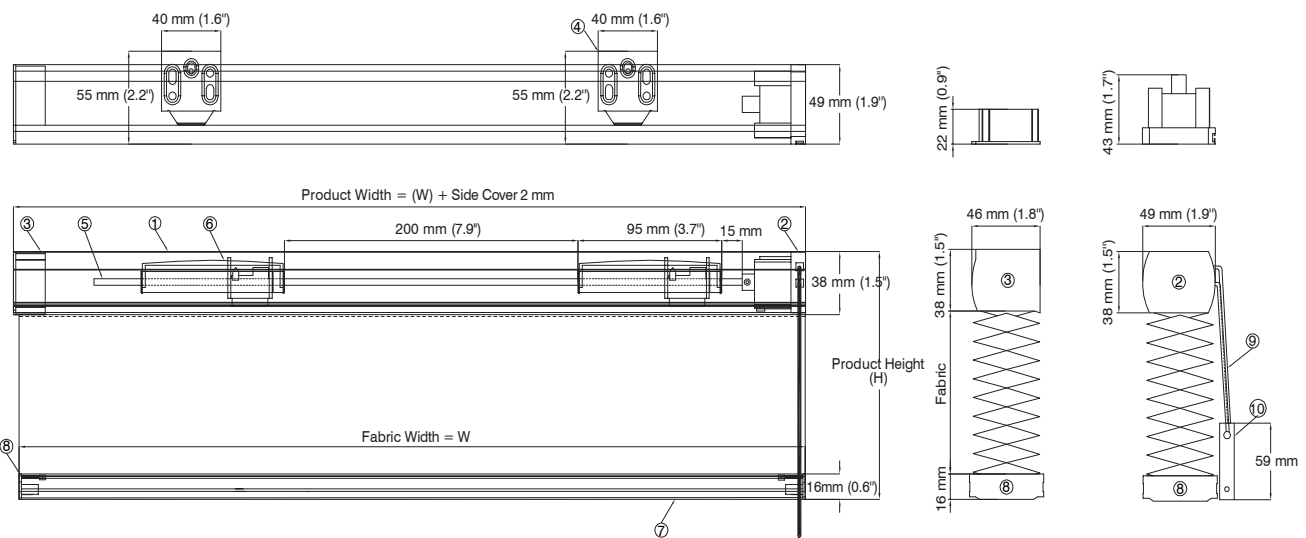
## Honeycomb Blind - Top down, Bottom up



### Components and Material

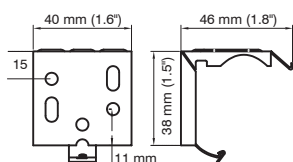
No.	Components	Material
1.	Head Rail	Aluminum
2.	Operating Unit	Molded Resin
3.	End Cap	Molded Resin
4.	Bracket	SUS
5.	Tilt Rod	MS
6.	Drum	Molded Resin
7.	Bottom Rail	Aluminum
8.	Bottom Rail End Cap	Molded Resin
9.	Chain	Polyester
10.	Cord Weight	Molded Resin
11.	Stop Ring	Molded Resin
12.	Cord Button	Molded Resin
13.	Hold down strip	Polyethylene

### Structure Drawing

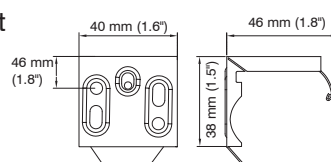


### Installation Dimensions

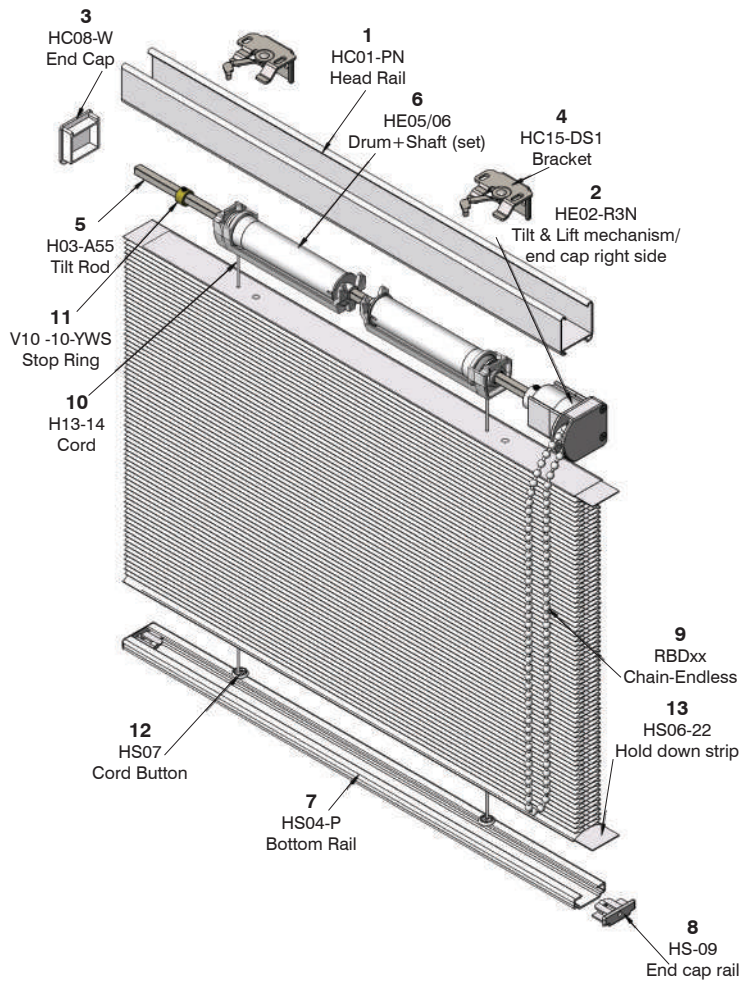
#### Wall Attachment



#### Ceiling Attachment



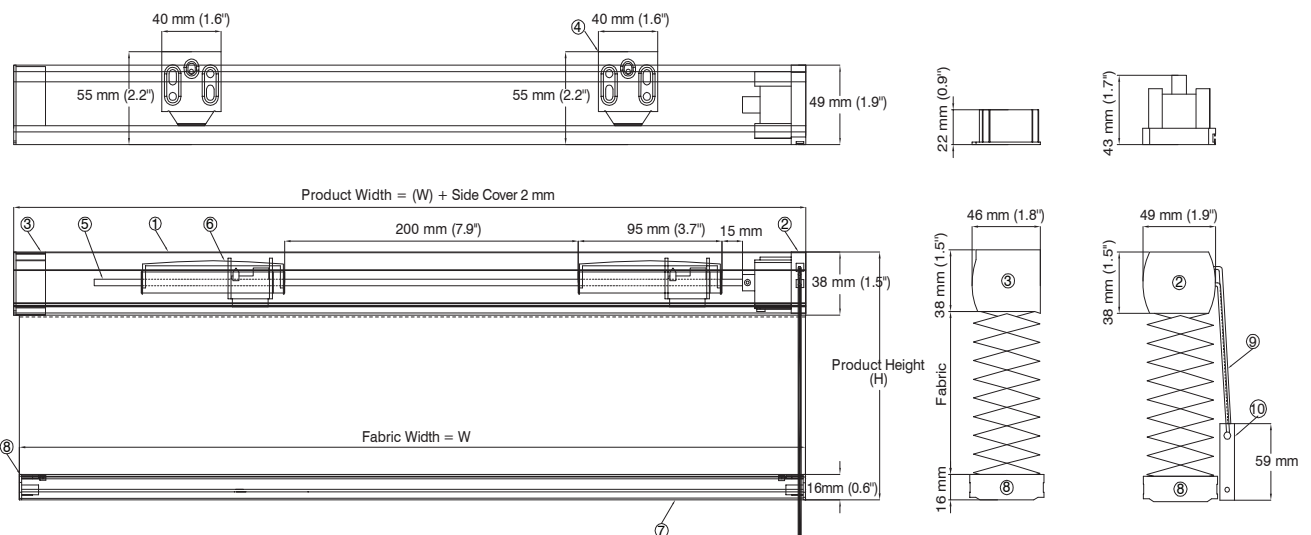
## Honeycomb Blind - Chain Control



### Components and Material

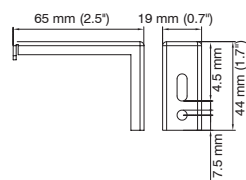
No.	Components	Material
1.	Head Rail	Aluminum
2.	Operating Unit	Molded Resin
3.	End Cap	Molded Resin
4.	Bracket	MS
5.	Tilt Rod	MS
6.	Drum	Molded Resin
7.	Bottom Rail	Aluminum
8.	Bottom Rail End Cap	Molded Resin
9.	Chain	Polyester
10.	Cord Weight	Molded Resin
11.	Stop Ring	Molded Resin
12.	Cord Button	Molded Resin
13.	Hold down strip	Polyethylene

### Structure Drawing



### Installation Dimensions

#### Wall Attachment



#### Ceiling Attachment

